

Air suspension system,

from June 2003

Note:

Information for

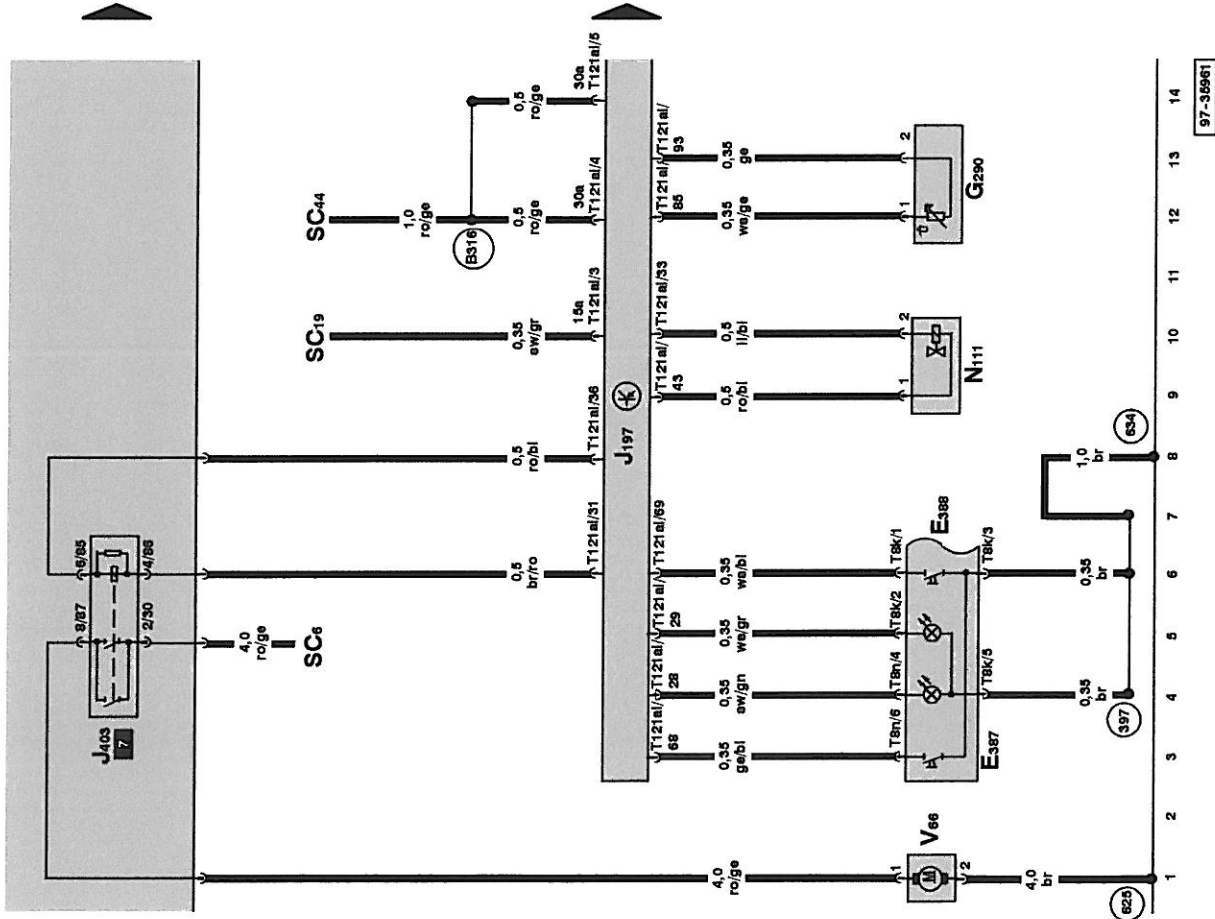
- ◆ *Relay and fuse arrangements*
 - ◆ *Connector arrangements*
 - ◆ *Control Modules and Relays*
 - ◆ *Ground connections*
- ⇒ *Component Locations!*

Level Control System Control Module, Relay for compressor level control system, Level Control Pump Temperature Sensor, Button for Level Control and Dampening Adjustment

- E387 - Dampening Adjustment Button
- E388 - Level Control Button
- G290 - Level Control Pump Temperature Sensor
- J197 - Level Control System Control Module
- J403 - Relay for compressor level control system
- N111 - Solenoid for level control system
- SC6 - Fuse 6 (in fuse holder)
- SC19 - Fuse 19 (in fuse holder)
- SC44 - Fuse 44 (in fuse holder)
- T8n - 8-Pin Connector, green
- T8k - 8-Pin Connector, black
- T121al - Connector, 121 point
- V66 - Motor for compressor-level control system

- 397 - Ground Connection 32 (in main wiring harness)
- 625 - Ground Connection (left rear lights)
- 634 - Ground Connection (driver's seat control module)
- B316 - Plus Connection 2 (30a) (in main wiring harness)

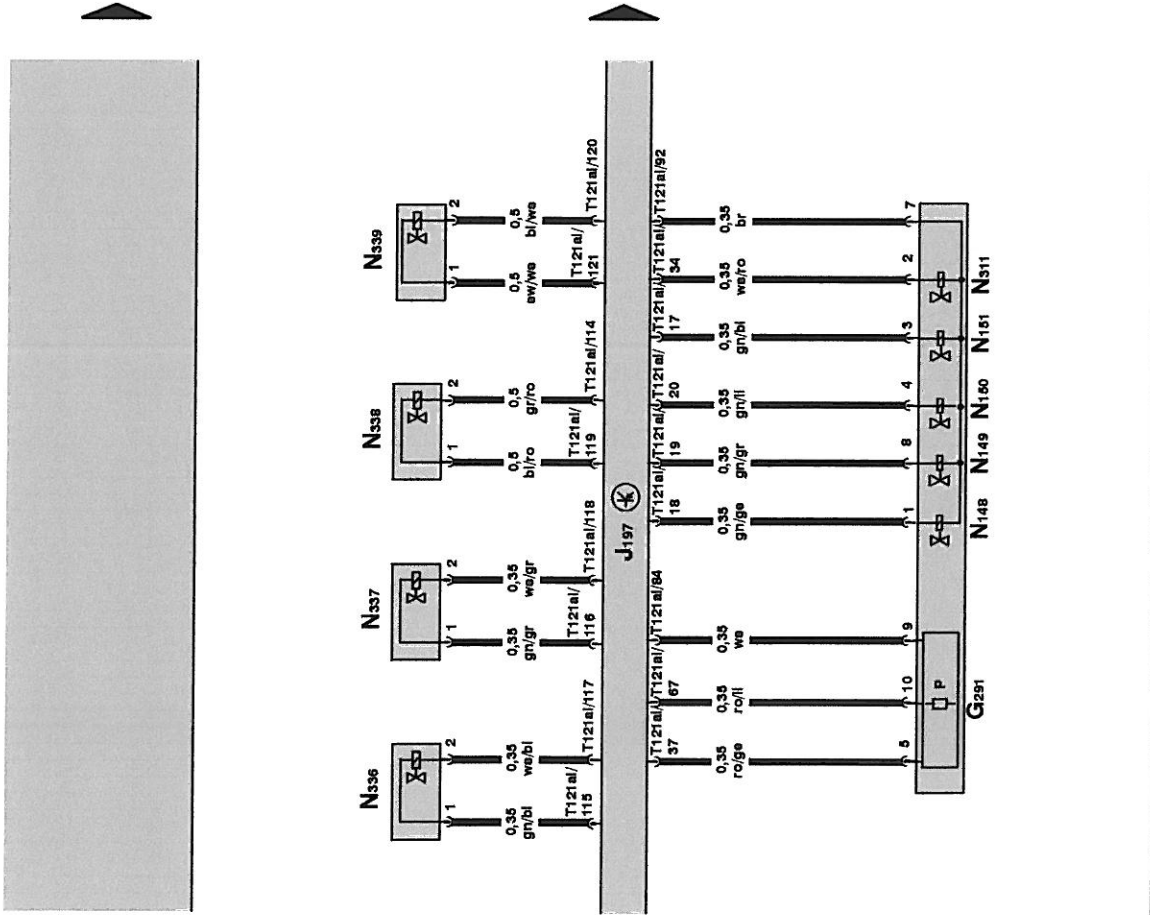
ws = white
 sw = black
 ro = red
 br = brown
 gn = green
 bl = blue
 gr = grey
 li = lilac
 ge = yellow
 or = orange



97-36901

Level Control System Control Module, Level Control Pressure Sensor, Suspension Strut Valve, Dampening Adjustment Valve

- G291- Level Control Pressure Sensor
- J197 - Level Control System Control Module
- N148- Left Front Suspension Strut Valve
- N149- Right Front Suspension Strut Valve
- N150- Left Rear Suspension Strut Valve
- N151 - Right Rear Suspension Strut Valve
- N311 - Level Control Accumulator Valve
- N336- Left Front Dampening Adjustment Valve
- N337 - Right Front Dampening Adjustment Valve
- N338- Left Rear Dampening Adjustment Valve
- N339- Right Rear Dampening Adjustment Valve
- T121a/- Connector, 121 point

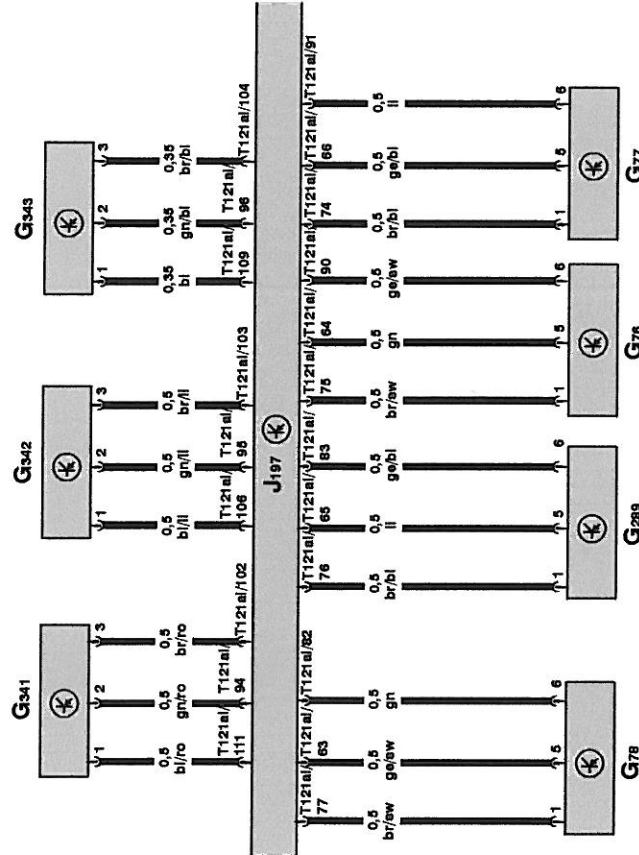
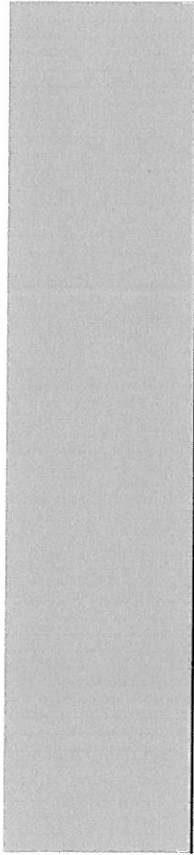


ws = white
 sw = black
 ro = red
 br = brown
 gn = green
 bl = blue
 gr = grey
 li = lilac
 ge = yellow
 or = orange

15	16	17	18	19	20	21	22	23	24	25	26	27	28
													97-35962

Level Control System Control Module, Level Control System Sensor, Body Acceleration Sensor

- G76 - Left Rear Level Control System Sensor
- G77 - Right Rear Level Control System Sensor
- G78 - Left Front Level Control System Sensor
- G289 - Right Front Level Control System Sensor
- G341 - Left Front Body Acceleration Sensor
- G342 - Right Front Body Acceleration Sensor
- G343 - Rear Body Acceleration Sensor
- J197 - Level Control System Control Module Connector, 121 point



ws = white
 ro = black
 br = red
 gn = brown
 bl = green
 gr = blue
 li = grey
 ge = lilac
 or = yellow

Level Control System Control Module, Control Module with indicator unit in instrument panel insert, Data Link Connector (DLC)

- J197 - Level Control System Control Module
- J285 - Control module with indicator unit in instrument panel insert
- J519 - Vehicle Electrical System Control Module
- J533 - Data Bus On Board Diagnostic Interface
- J567 - Left Headlight Range Control Module
- J568 - Right Headlight Range Control Module
- T10a - 10-Pin connector, on headlight left
- T10b - 10-Pin connector, on headlight right
- T16 - 16-Pin Connector, black, Data Link Connector (DLC), under instrument panel, left
- T17e - 17-Pin connector, blue, behind instrument panel, left
- T32b - 32-Pin connector, green, on instrument cluster
- T121al - Connector, 121 point
- 381 - Ground Connection 16 (in main wiring harness)
- 622 - Ground Connection 1 (ground plate)
- B383 - Powertrain CAN-Bus High Connection 1 (in main wiring harness)
- B384 - Powertrain CAN-Bus High Connection 2 (in main wiring harness)
- B387 - Powertrain CAN-Bus High Connection 5 (in main wiring harness)
- B390 - Powertrain CAN-Bus Low Connection 1 (in main wiring harness)
- B391 - Powertrain CAN-Bus Low Connection 2 (in main wiring harness)
- B394 - Powertrain CAN-Bus Low Connection 5 (in main wiring harness)
- B476 - Connection 12 (in main wiring harness)

ws = white
 sw = black
 ro = red
 br = brown
 gn = green
 bl = blue
 gr = grey
 li = lilac
 ge = yellow
 or = orange

